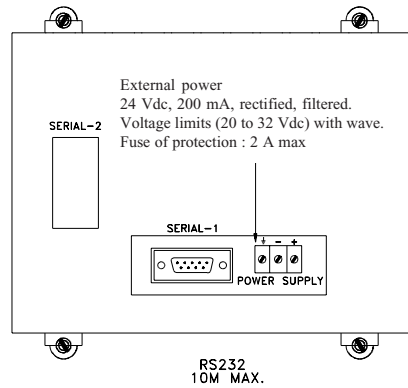


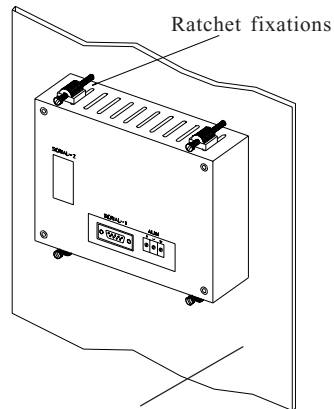
Connection :



SERIAL-1 SUBD 9PTS MALE		OPTIONAL SERIAL-2 SUBD 9PTS FEMALE			
PIN	RS232	PIN	RS422	RS485	CANBUS
1		1			
2	RXD	2			
3	TXD	3	RX-		
4		4	RX+		
5	GND	5	GND	GND	GND
6		6			
7		7	TX-	TRX-(B)	CANL
8		8	TX+	TRX+(A)	CANH
9		9			

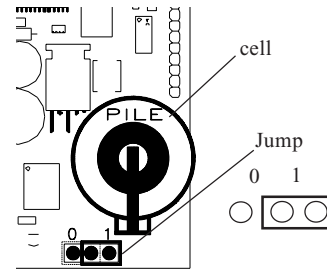
NOT ISOLATED ISOLATED
 Jump of validation for final resistances (120Ω).
 By default : selected resistances.

Mounting :



The panel surface must be flat and rigid to ensure tightness

Mounting of the cell (optional) :



Cell CR2450 : 3V 500mA
 1- open behind panel
 2- Insert the cell in this rest
 Verify polarity
 3- Put jump position 1
CAUTION !!
 Version without the cell : jump position 0

Personnalisable labels :

F1 to F6 keys can be personnalisable.

Use personnalisable blank pre-cutlabel supplied and write new informations.

- Open behind panel
- Remote label already placed down left.
- Introduce new label and close behind panel.

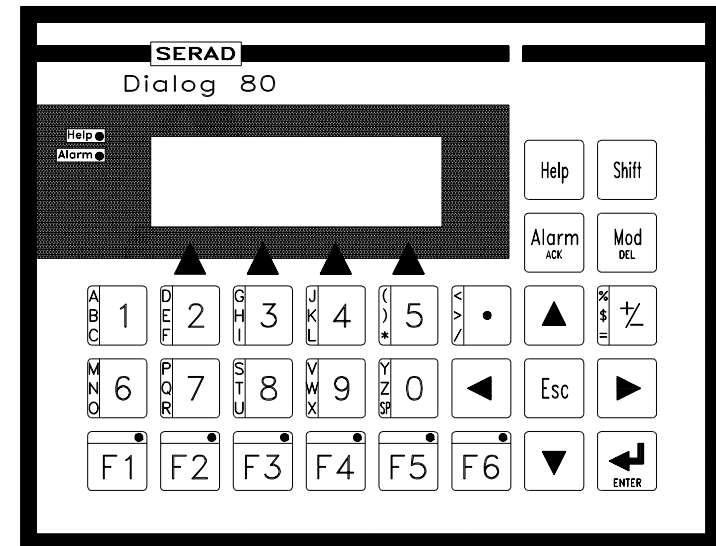
CAUTION !! Turn off all power supplying of this equipment.

We reserve ourselves the right for modified this document without notice.

OPERATOR TERMINAL

DIALOG 80

INSTALLATION GUIDE



SERAD S.A
 271 Route des crêtes
 44440 TEILLE-FRANCE

Phone : 33.2.40.97.24.54
 Fax : 33.2.40.97.27.04
 E-Mail : info@serad.fr

Display :

- 4 x 20 characters LCD display with backlight.
- Display area 74x23mm
- Standart display ,flashing
- ASCII protocol

Keyboard :


- 28 keys with tactile feedback
- 4 dynamic function keys
- 6 re-legendable function keys with integrated leds
- Control and scrolling keys
- Help key
- Alarm key
- Numerical and alphanumerical keypad
- 8 state visualization leds.
- Buzzer

Performances :

- 16 bits processor
- 512 Kbits flash memory
- 128 Kbits non-volatile RAM
- RS232 serial communication port
- Optional RS422 or RS485 serial communication
- Optional fieldbus CANBUS

Technical feature :

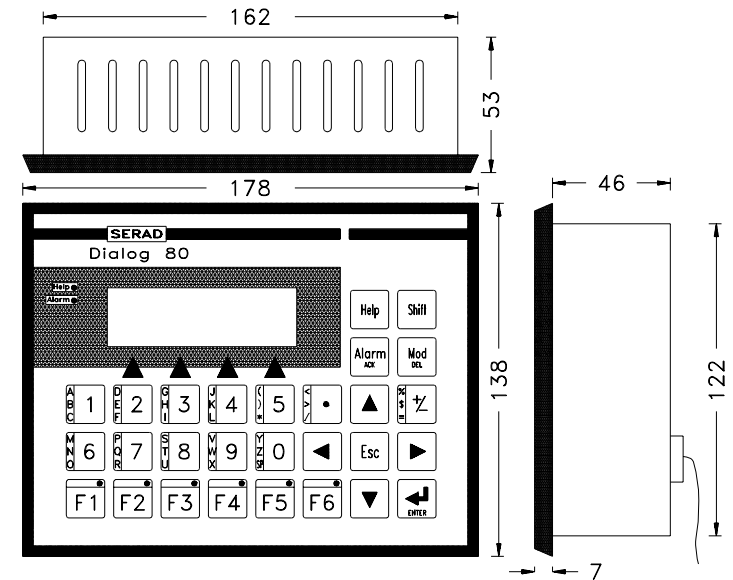
- 24Vdc supply voltage
- 4W power requirement
- Operation 0 to 45°C temperature
- -20 to 70°C storage temperature
- Front panel protection IP65



CAUTION

- This equipment must be installed only by qualified electrical personnel.
- Supply power 24 VDC, protected with a fuse 2 A max.
- Turn off power supplying this equipment before working on or inside equipment.

Dimension :



Panel cut-out :

